



**DAYHEEM**  
**ELECTRIC INDUSTRY**

General Catalogue

2015

## **Dayheem Electric Industry Co., Introduction, Vision and Mission**

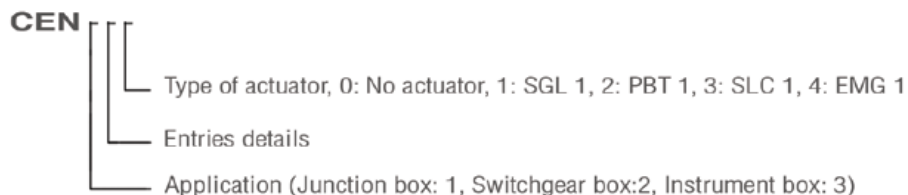
Dayheem Electric Industry Co. has been established in 2011 as a manufacturer of explosion proof electrical apparatus. The company target is to maximize its efficiency based on supplying projects on time while reducing production costs. Customer satisfaction is also considered to be enhanced, by focusing on main company processes, product quality improvement and development of new products. The company cooperates to LOM of Spain and successfully takes EC type examination certificate as well as quality assurance notification in 2015.

### Versatile special assemblies in local control stations

The modular design provides assembly of any common controlling equipment, including one component enclosure to five and more component. Any kind of instrument can be added to the assemblies.



## Switchgear Box series CEN - - -



### Introduction

The small switchgear box type CEN - - - made of copper free die casting aluminum alloy which may comprise threaded lid or spigot lid, can offer 3 major applications including junction box, switchgear box and instrument box. The enclosure can be installed using cable gland as well as conduits. The size and number of entries would be according to customer's request. The enclosure have both internal and external stainless steel earthing studs.

Technical Data	
Explosion proof Switchgear Box CEN - - - for Zone 1,2, 21,22	
Marking to 94/9/EC	Gas II 2 G Ex d II C T6 Gb Dust II 2 D Ex t III C T85°C Db
Ambient temperature	-20°C to +55°C
EC-Type examination certificate	LOM 15 ATEX 2015 X
Degree of protection	IP 66
Material	Copper free die casting aluminum
Inside diameter	ø75 mm
length of terminal rail	45 mm
Weight	450 gr
Cable entry details, Y	
1	One way
2	Two way
3	Three way
4	Four way
The common entry thread is M25x1.5, other thread including M20, 1/2", 3/4" NPT can be provided on request.	

## Junction Box CEN 1 - -

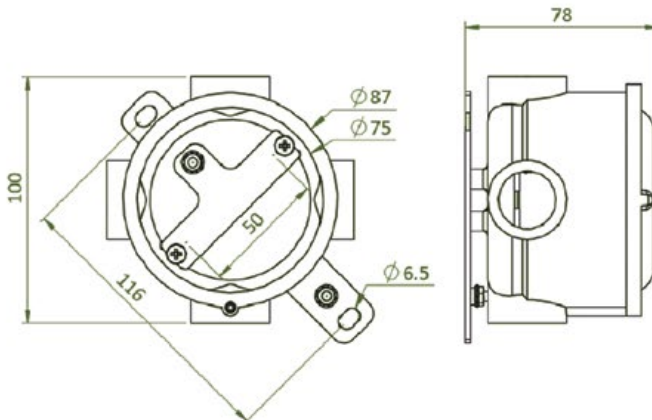
### Application and features

The explosion proof junction box CEN 1 - -, can be equipped with pillar terminals or strip terminals mounted on special rail. The small size and high IP degree allow universal use in multiple conditions.



Maximum number of terminals			
Type	Manufacturer	Rated current	QTY
RMT 2.5	RAAD	20 A	5
RMT 4	RAAD	41 A	4
B16	RAAD	76 A	4

Pillar terminal 4 pole can be fitted





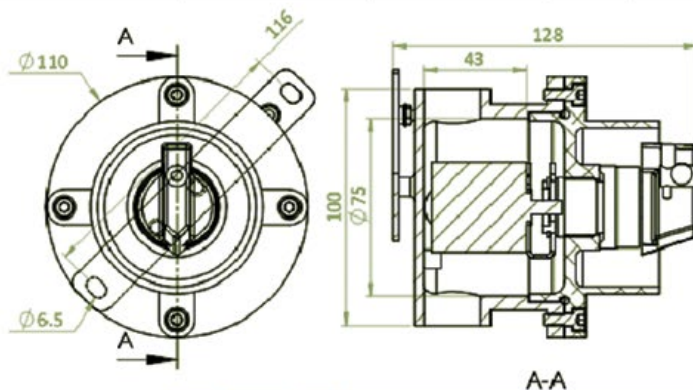
## Switchgear Box CEN 2 - -

### Application and features

The explosion proof switchgear box CEN 2 --, can be equipped with numerous electrical components including rotary selector switch, contact block, signal lamp, etc. The spigot lid allows user to wire the enclosure easily. The M25x1.5 lid hole can be mounted with numerous Dayheem actuators. The enclosure can be equipped with Dayheem emergency push button actuator EMG 1, braking glass and chain hammer to be used as emergency call point.



Internal electrical components					
Component	Type	Manufacturer	Rated current	Number of poles	QTY
Rotary selector switch	2 stages/4 contacts	K&N, TRS, Bremas	16 A	3 phase	1
	1 stage/2 contacts	K&N, TRS, Bremas	25 A	1 phase	1
Contact block	M22-K10/M22-K01	Eaton	6 A		6
Signal lamp	M 22 LED C 230	Eaton	15 mA		

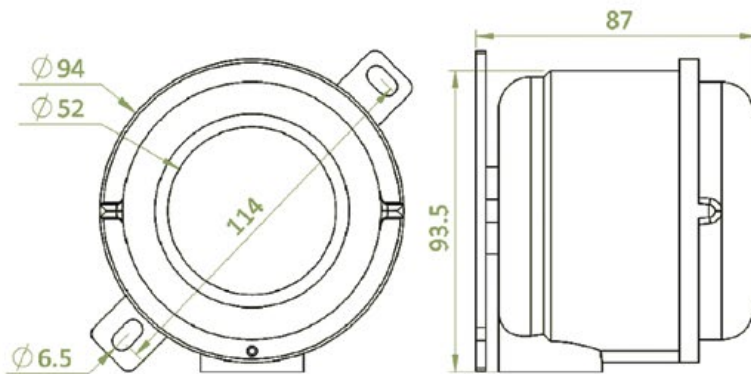


## Instrument Box CEN 3 - -

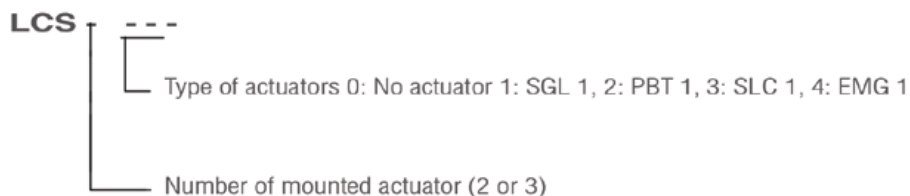


### Application and features

The explosion proof instrument box CEN 3 - - can be equipped with numerous type of measuring and indicating electrical apparatus including ammeter, voltmeter ,etc. The transparent lid allows user to see inside the enclosure. The enclosure is ideal to be used for circular  $\varnothing 52$  ammeters as well as rectangular 48x48 and can be connected via Ex bushing to another enclosure.



## Local control stations series LCS - - - -

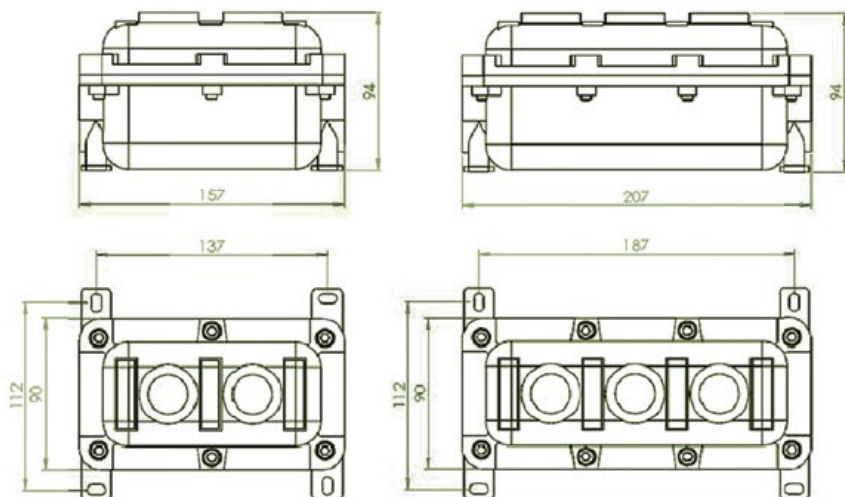


### Application and features

The enclosures LCS - - - - made of copper free die casting aluminum alloy, can be properly used as local control stations with numerous kinds of actuators. The modular design allows users to assemble whatever they need including push button, selector switch and other Dayheem actuators. The bushing facilitates connection between the enclosures. Using Dayheem CEN - - - can provide an extra component which can be a switch, instrument ,etc. The enclosures have 2 M25x1.5 entry holes as standard, any other thread can be supplied on request.

Technical Data	
Explosion proof Local control station LCS 2- - -, 3- - -	
Marking to 94/9/EC	Gas II 2 G Ex d II B+H2 T6 Gb
Ambient temperature	-20°C to +55°C
EC-Type examination certificate	LOM 15 ATEX 2014 U
Degree of protection	IP 65
Material	Copper free die casting aluminum
Inside diameter	ø75 mm
length of terminal rail	45 mm
Weight	800 gr
* Can be elevated using non hardening grease.	





## Explosion proof accessories

### Application and features

In case that any enclosure is needed to be operated externally, the wide range of actuator with respect to internal electrical component allow user to manipulate them. The M25x1.5 thread of actuator can be mounted on any Dayheem enclosure. Any internal electrical component can be assembled on special holders.

Technical Data	
Explosion Accessories	
Marking to 94/9/EC	Gas II 2 G Ex d II C T6 Gb
	Dust II 2 D Ex tb T
Ambient temperature	-20°C to +55°C
EC-Type examination certificate	LOM 15 ATEX 3011 U
Degree of protection	IP 66
Material	Extruded aluminum alloy body
	Brass shaft
	Silicon O-ring
	Stainless steel holder



### Signal Lamp Actuator

In various colors including green, yellow, blue, red.



### Push button actuator

Spring return push button for any purpose including start, stop, reset .



### Emergency push button actuator

Mushroom-head stay put rotary return push button with enhanced security



### Selector switch actuator

For changeover switches, On/Off switches, and any other rotary switches.



### Bushing

Factory sealed M25 bushing can contain up to 10x1.5 mm controlling wires.

## Small Terminal Box STB series

### Introduction

The small terminal/junction box STB series, have been designed as a simple enclosure without hinge for those purposes which are not supposed to be opened and closed regularly. The cost effective robust stainless steel one-piece body offers users the highest impact and corrosion resistance, high IP degree and explosion proof marking among any other designs to be employed in any purposes. Higher T5 rating makes it possible to use the enclosure in higher current. Any side can be punched according to customer request. The wide range of sizes are suitable for any common number of cable entries and inside terminals. However, the EC-Type examination certificate and production method allow us for any other size which can provide customers cost and space saving.



Technical Data	
Explosion proof junction box STB series	
Marking to 94/9/EC	Gas: II 2 G Ex e IIC T5-6 Gb Dust: II 2 D Ex t IIIC T100°C-85°C
EC-Type examination certificate	LOM 15 ATEX 2013
Ambient temperature	-20°C to +55°C
Degree of protection	IP 66
Material	Stainless steel AISI 304/316L
	Galvanized sheet steel
	Electrostatic epoxy powder coated sheet steel
	Thickness: 1.5 - 2 mm

## STB series

Maximum number of terminals							
Type	Size (mm)	No. of rails	Max Number of terminals				
			Wire cross section (mm <sup>2</sup> )				
	L x W x H		2.5	4	6	10	16
STB 1	163x163x100	1	22	21	16	13	—
STB 2	263x163x100	2	57	54	43	34	27
STB 3	413x263x115	2	107	100	80	64	51

Cable entries capacity					
Model	STB 1	STB 2		STB 3	
Gland Size	Each Side	Great Side	Small Side	Great Side	Small Side
M16	8	14	8	33	14
M20 O	6	12	6	21	12
M20 A	8	12	8	27	12
M25	4	6	4	16	6
M32	2	4	2	8	4
M40	2	3	2	5	3

Permitted dissipated wattage (W)				
Type	T6		T5	
	T 85°C		T100°C	
	Ta 40°C	Ta 55°C	Ta 40°C	Ta 55°C
STB 1	11.7	7.3	16.0	11.7
STB 2	17.8	11.1	24.4	17.8
STB 3	39.0	24.4	53.6	39.0



## Junction Box SJB series

### Introduction

The SJB range of enclosures, made of stainless steel, have been designed to accommodate rail mounted Ex. certified terminals. The fully detachable hinged lid, robust one piece body, wide range of large sizes, highest impact and corrosion resistance, high IP degree and Ex. marking; made the SJB range the versatile choice for any harsh condition purposes. Higher T5 rating makes it possible to use the enclosure in higher current. The enclosure can be equipped with gland plates from greater side as well as smaller side to facilitate cabling. In case of further security the pendant lock could be prepared on request. To minimize occupied space by the enclosure, the production method allows the height of enclosure to be varied as well as length and width, considering requirements of EC-Type examination certificate maintains.



Technical Data	
Explosion proof junction box SJB series	
Marking to 94/9/EC	Gas: II 2 G Ex e IIC T5-6 Gb Dust: II 2 D Ex t IIIIC T100°C-85°C
EC-Type examination certificate	LOM 15 ATEX 2012
Ambient temperature	-20°C to +55°C
Degree of protection	IP 66
Material	Stainless steel AISI 304/316L Galvanized sheet steel Electrostatic epoxy powder coated sheet steel Thickness: 1.5 - 2 mm

## SJB series

Maximum number of terminals											
Type	Size (mm)	No. of rails (vertical)	Max Number of terminals								
			Wire cross section (mm <sup>2</sup> )								
	L x W x H		2.5	4	6	10	16	25	35	50	95
SJB 1	263x163x150	1	30	28	22	18	14	13	11	–	–
SJB 2S	293x263x150	2	71	66	53	42	34	31	25	21	–
SJB 2L	293x263x200	2	71	66	53	42	34	31	25	21	–
SJB 3S	363x313x150	2	131	123	98	78	63	58	47	39	–
SJB 3L	363x313x200	2	131	123	98	78	63	58	47	39	–
SJB 4S	413x263x150	2	104	97	78	62	50	46	37	31	12
SJB 4L	413x263x200	2	104	97	78	62	50	46	37	31	12
SJB 5S	413x363x150	3	156	146	117	93	75	69	56	46	12
SJB 5L	413x363x200	3	156	146	117	93	75	69	56	46	12
SJB 6	463x413x200	4	242	226	181	145	116	106	88	72	14
SJB 7	563x363x200	3	231	217	173	138	111	102	84	69	18
SJB 8	663x463x200	4	375	351	281	225	180	165	136	112	22
SJB 9	740x560x200	5	552	517	414	331	265	243	200	164	26
SJB 10	913x663x200	6	813	762	609	487	390	358	295	242	65
SJB 11	955x730x200	7	1061	995	796	637	509	468	386	316	72

Permitted dissipated wattage (W)				
Type	T6		T5	
	T85°C		T100°C	
	Ta 40°C	Ta 55°C	Ta 40°C	Ta 55°C
SJB 1	16.5	10.3	22.8	16.5
SJB 2S/ SJB 2L	30	18.7	41.1	30
SJB 3S/ SJB 3L	38.7	24.2	53.3	38.7
SJB 4S/ SJB 4L	37.2	23.2	51.1	37.2
SJB 5S/ SJB 5L	53.4	33.4	73.4	53.4
SJB 6	71.1	44.5	97.8	71.1
SJB 7	75.8	47.4	104.2	75.8
SJB 8	103.5	60.5	153	103.5
SJB 9	124.1	77.6	170.6	124.1
SJB 10	178.1	111.3	244.9	178.1
SJB 11	196.6	122.9	270.3	196.6



## **Factory, Main Office**

**Address:** No. 402, Imam Khomeini St., Ghasem Abad Rd., Khavaran Rd., Tehran, Iran

**Tel/Fax:** +98 21 3667 76 93

**Email:** [info@dayheem.net](mailto:info@dayheem.net)

**Website:** [www.dayheem.net](http://www.dayheem.net)

